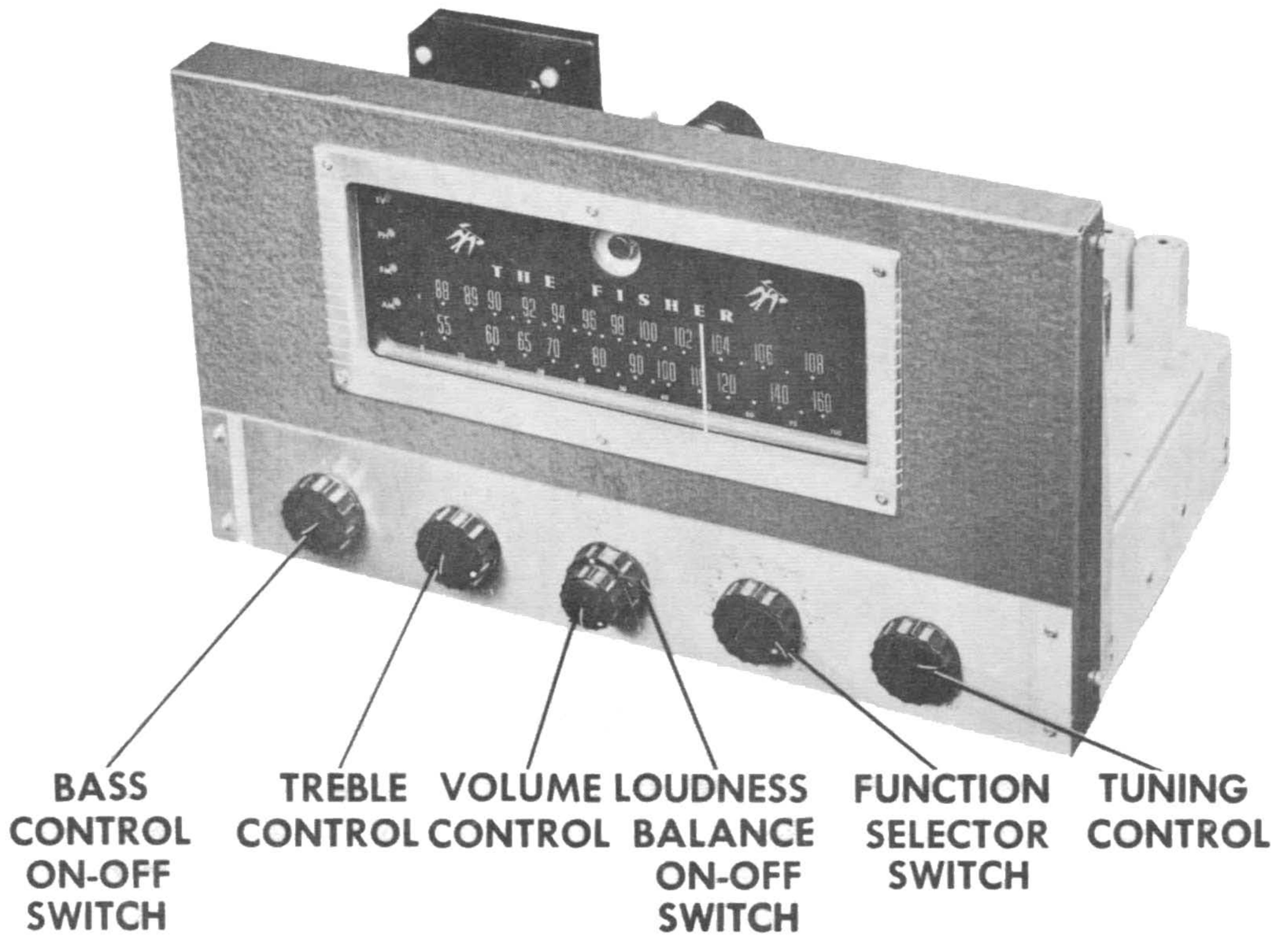
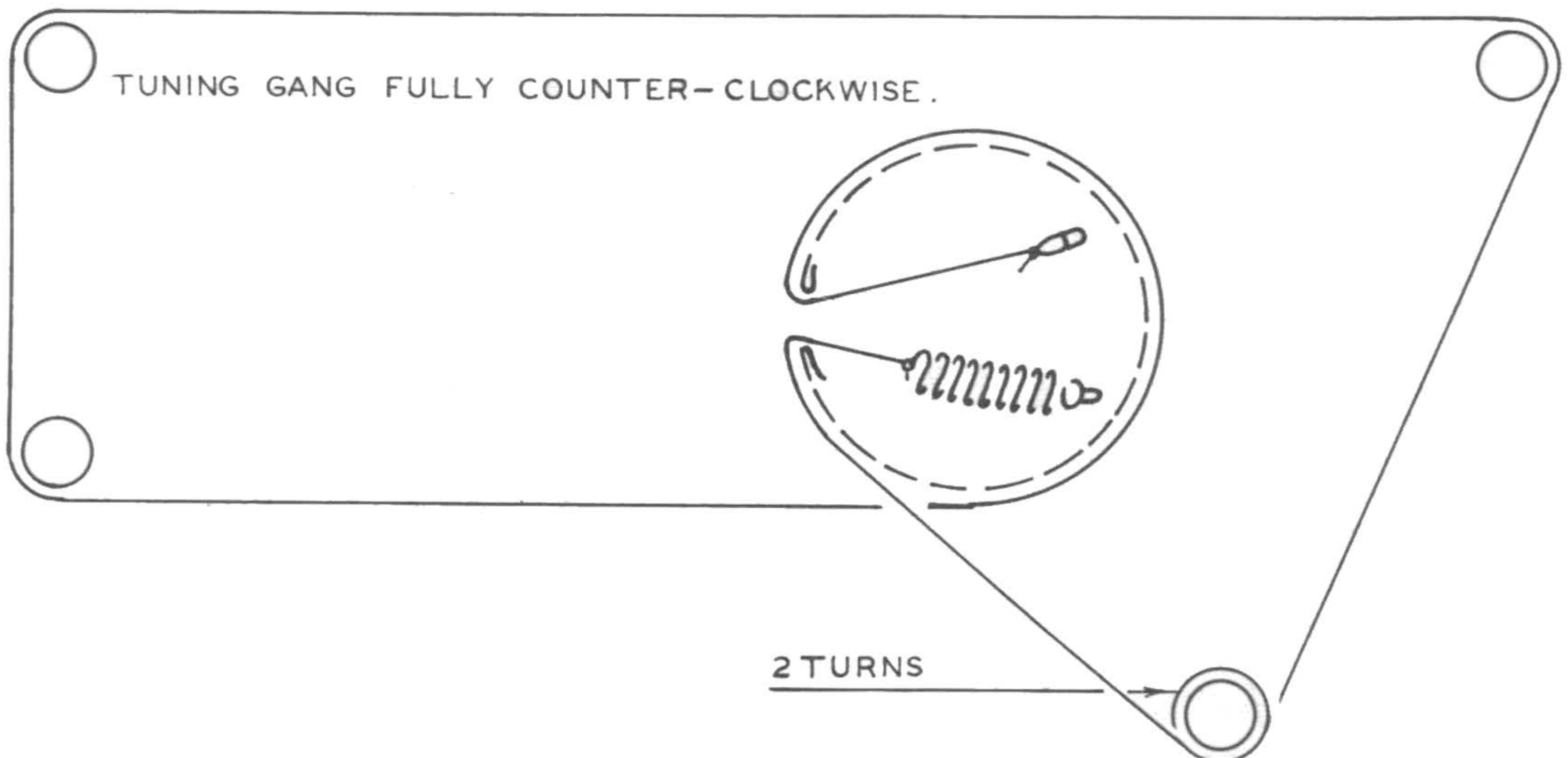


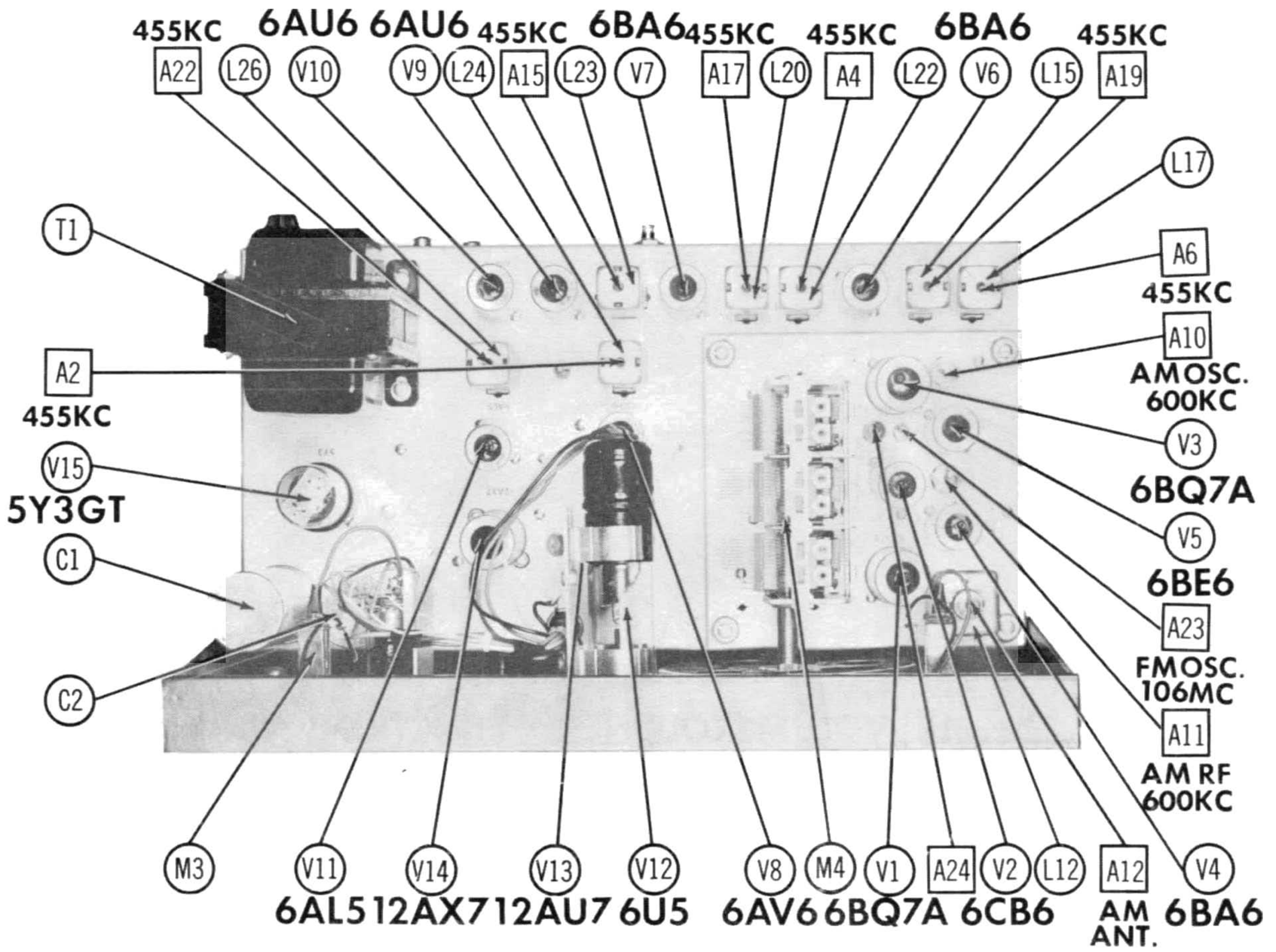
**FISHER  
MODEL 70RT**



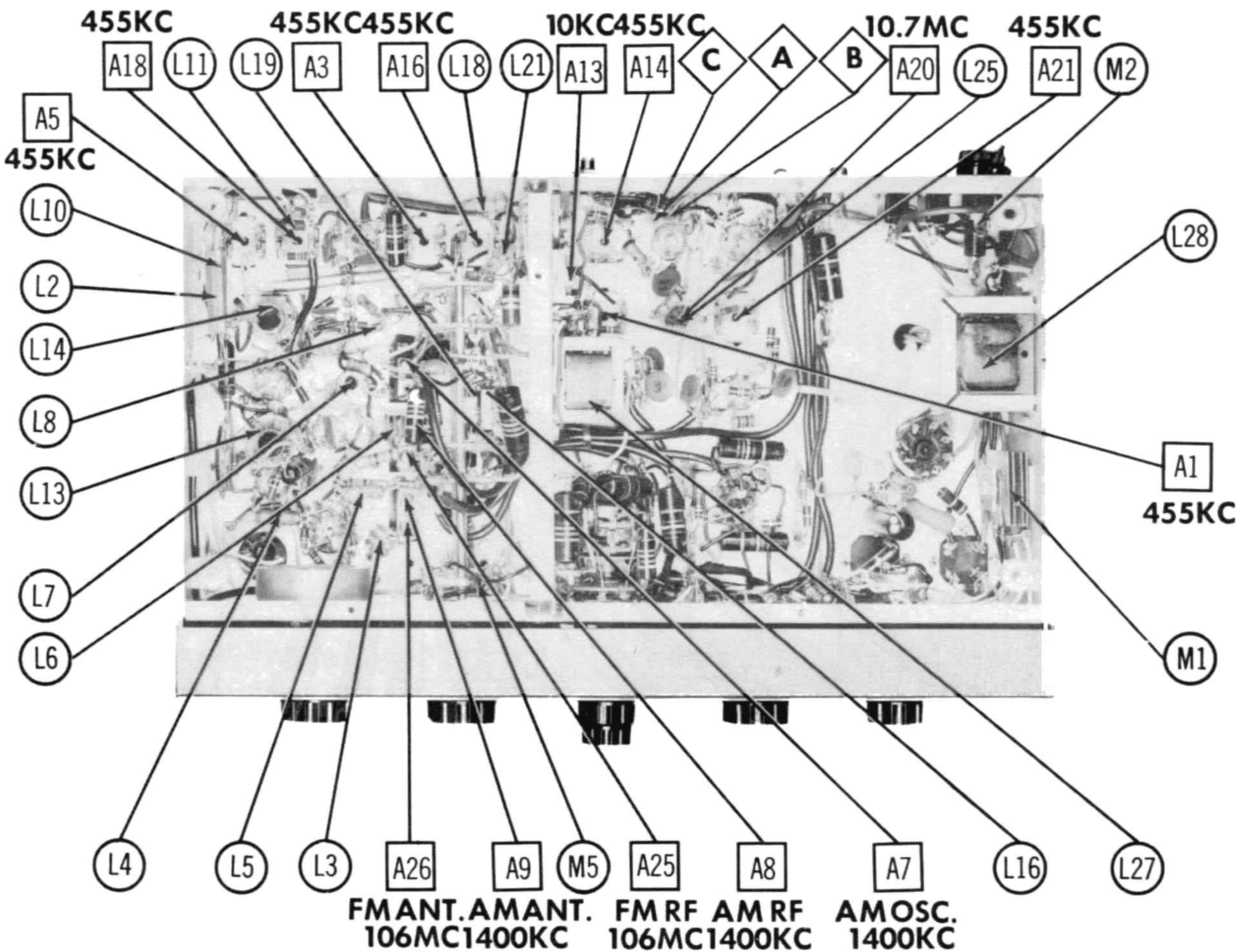
TRADE NAME	Fisher Model 70-RT		
MANUFACTURER	Fisher Radio Corp., 21-21 44th Drive, Long Island City, 1, N.Y.		
TYPE SET	AC Operated AM-FM Superheterodyne Tuner for Custom Installation		
TUBES	Fifteen		
POWER SUPPLY	110-120 Volts AC-60 Cycles	RATING	.37 Amp. @ 117 Volts AC
TUNING RANGE-BROADCAST	540-1620 KC	FREQ. MOD.	88-108MC



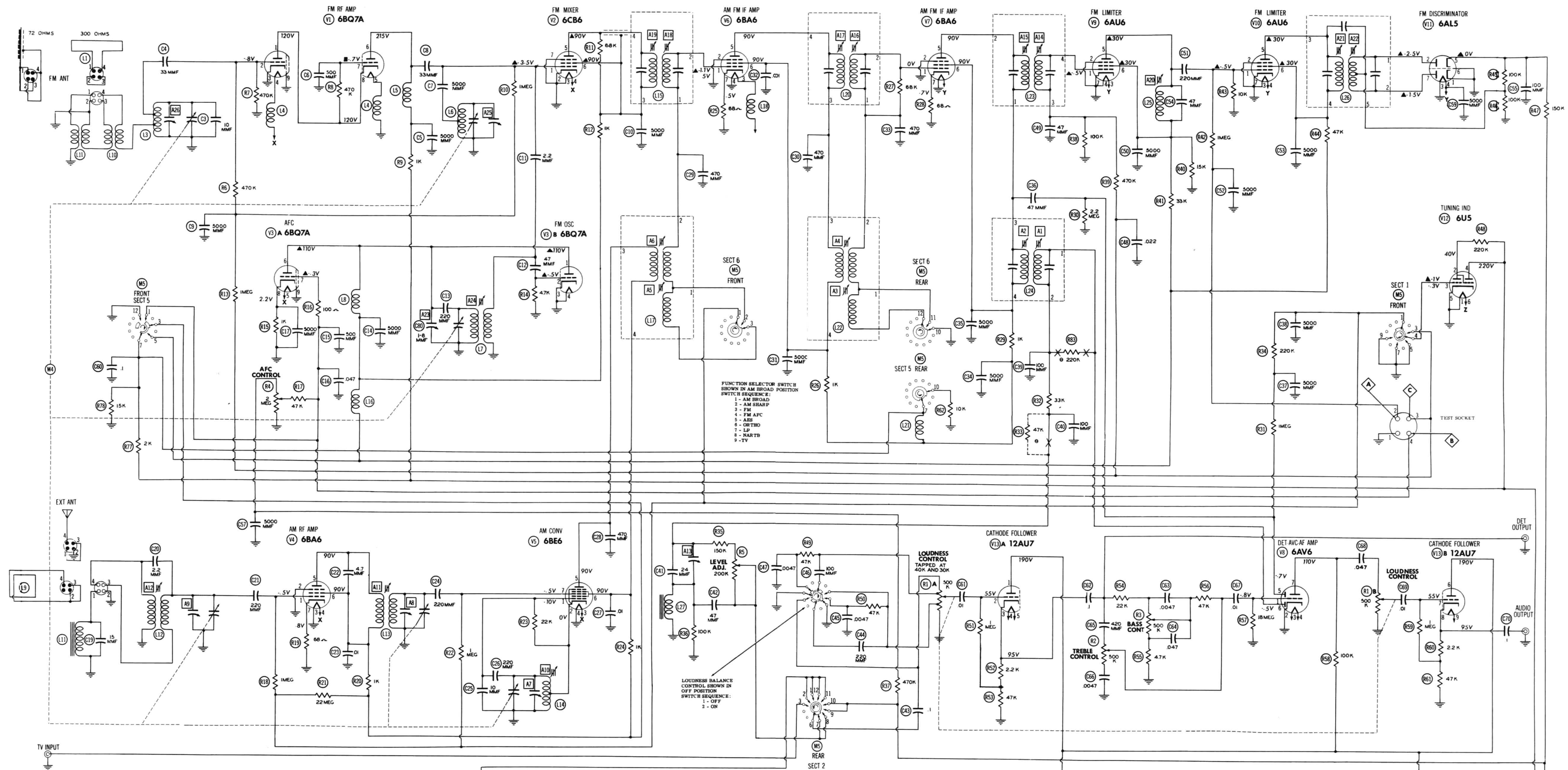
**DIAL CORD STRINGING**



**CHASSIS TOP VIEW**



**CHASSIS-BOTTOM VIEW-ALIGNMENT IDENTIFICATION**

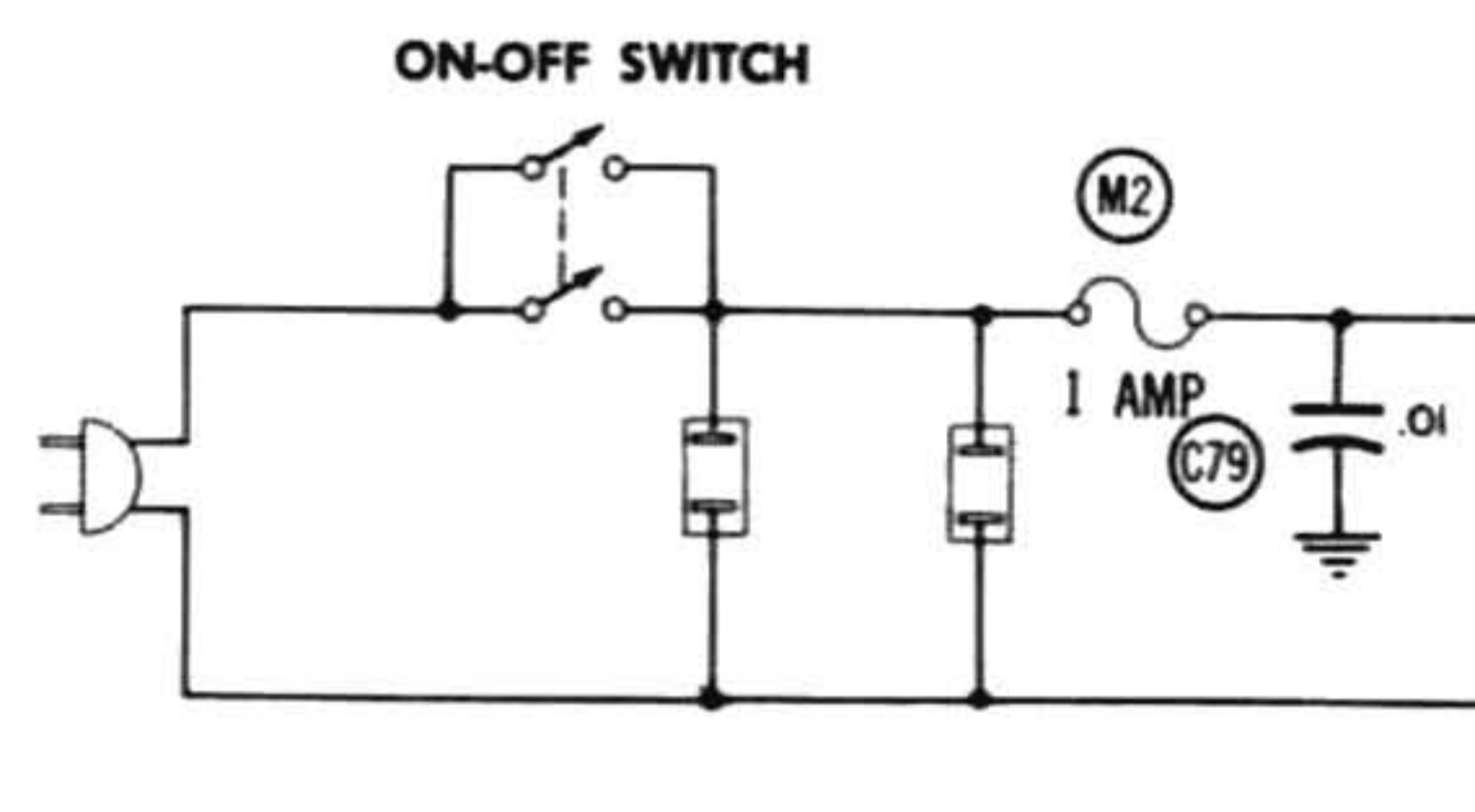


AM IF = 455KC  
FM IF = 10.7 MC

RESISTANCE READINGS

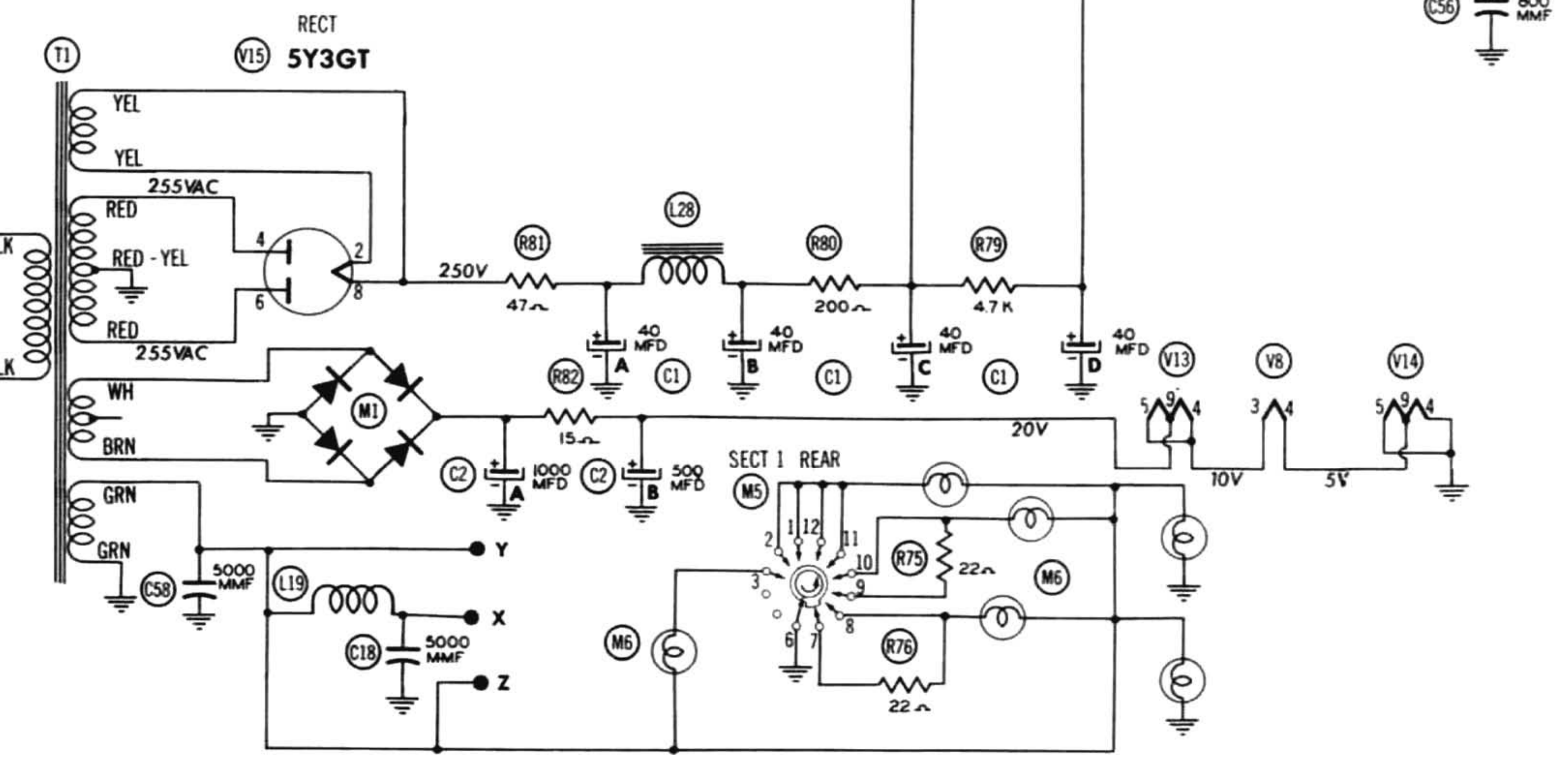
Item	Tube	Pin 1	Pin 2	Pin 3	Pin 4	Pin 5	Pin 6	Pin 7	Pin 8	Pin 9
V 1	6BQ7A	DNF	470KΩ	0Ω	.1Ω	.1Ω	11.5KΩ	DNF	DNF	0Ω
V 2	6CB6	2.5MΩ	0Ω	0Ω	.1Ω	14.3.5KΩ	14.3.5KΩ	0Ω		
V 3	6BQ7A	14.2.5KΩ	4.7KΩ	0Ω	0Ω	.1Ω	14.3.5KΩ	4.000	1KΩ	0Ω
V 4	6BA6	4.4MΩ	0Ω	0Ω	.1Ω	13.5KΩ	13.5KΩ	68Ω		
V 5	6BE6	22KΩ	.5Ω	.1Ω	0Ω	13.5KΩ	13.5KΩ	4.4MΩ		
V 6	6BA6	3.4MΩ	0Ω	.1Ω	0Ω	13.5KΩ	13.5KΩ	68Ω		
V 7	6BA6	6Ω	0Ω	.1Ω	0Ω	13.5KΩ	13.5KΩ	68Ω		
V 8	6AV6	18MΩ	0Ω	8Ω	4Ω	2.3MΩ	400KΩ	1105KΩ		
V 9	6AU6	100KΩ	0Ω	.1Ω	0Ω	14.33KΩ	14.33KΩ	0Ω		
V 10	6AL5	10KΩ	0Ω	0Ω	.1Ω	14.50KΩ	14.50KΩ	0Ω		
V 11	6AL5	0Ω	100KΩ	0Ω	.1Ω	200KΩ	0Ω	100KΩ		
V 12	6ES5	0Ω	220KΩ	3.4MΩ	1500Ω	0Ω	.1Ω			
V 13	12AU7	15.2KΩ	1MΩ	49KΩ	6Ω	6Ω	15.2KΩ	1MΩ	49KΩ	9Ω
V 14	12AX7	105KΩ	18MΩ	0Ω	0Ω	0Ω	105KΩ	3.2MΩ	1.5KΩ	2.5Ω
V 15	5Y3GT	DNF	10KΩ	8Ω	146Ω	0Ω	141Ω	DNF	9KΩ	

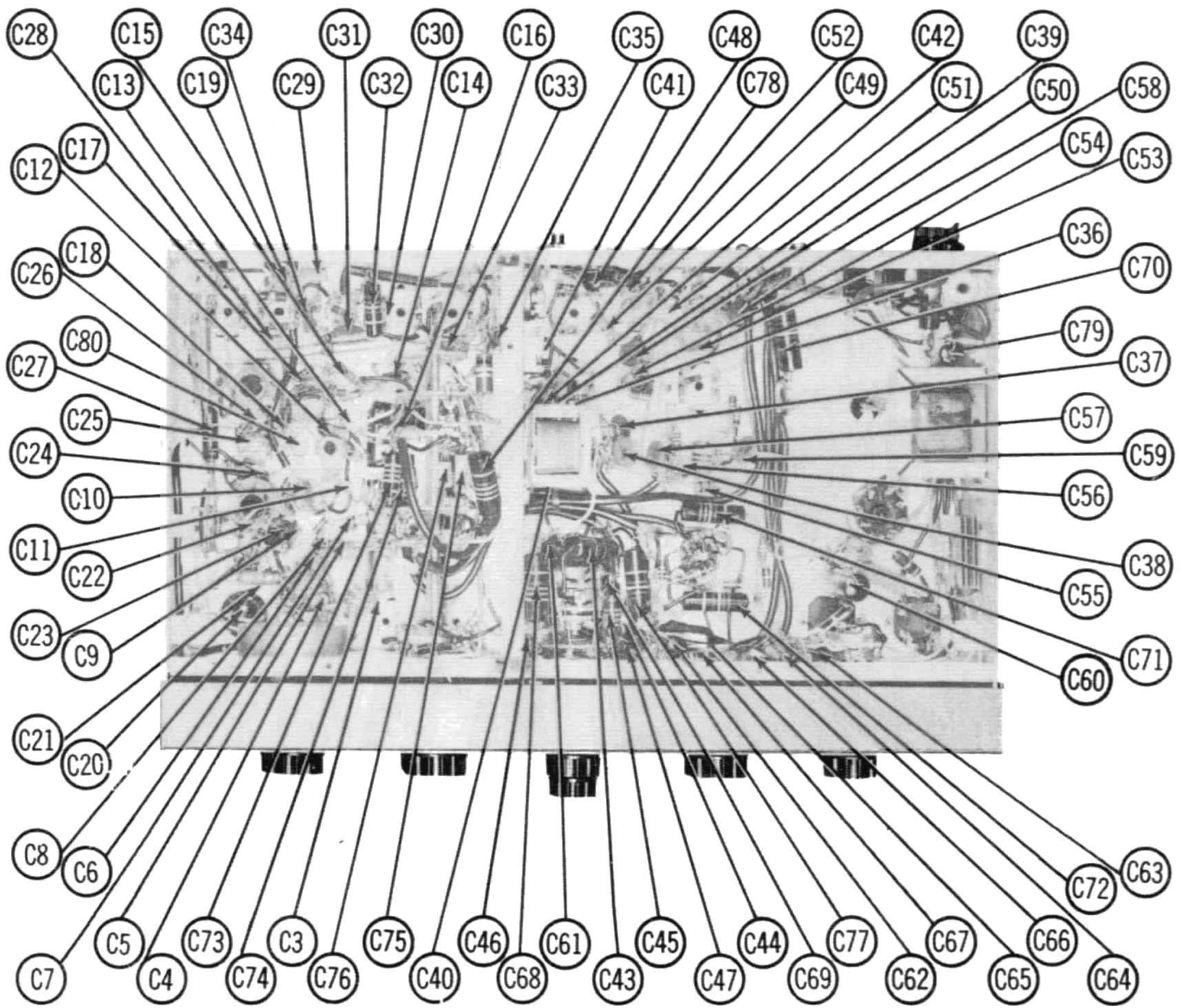
ALL MEASUREMENTS TAKEN IN AM POSITION UNLESS OTHERWISE DESIGNATED  
 \* MEASURED FROM PIN 8 OF V13  
 † MEASURED IN FM POSITION  
 ‡ MEASURED FROM PIN 8 OF V1



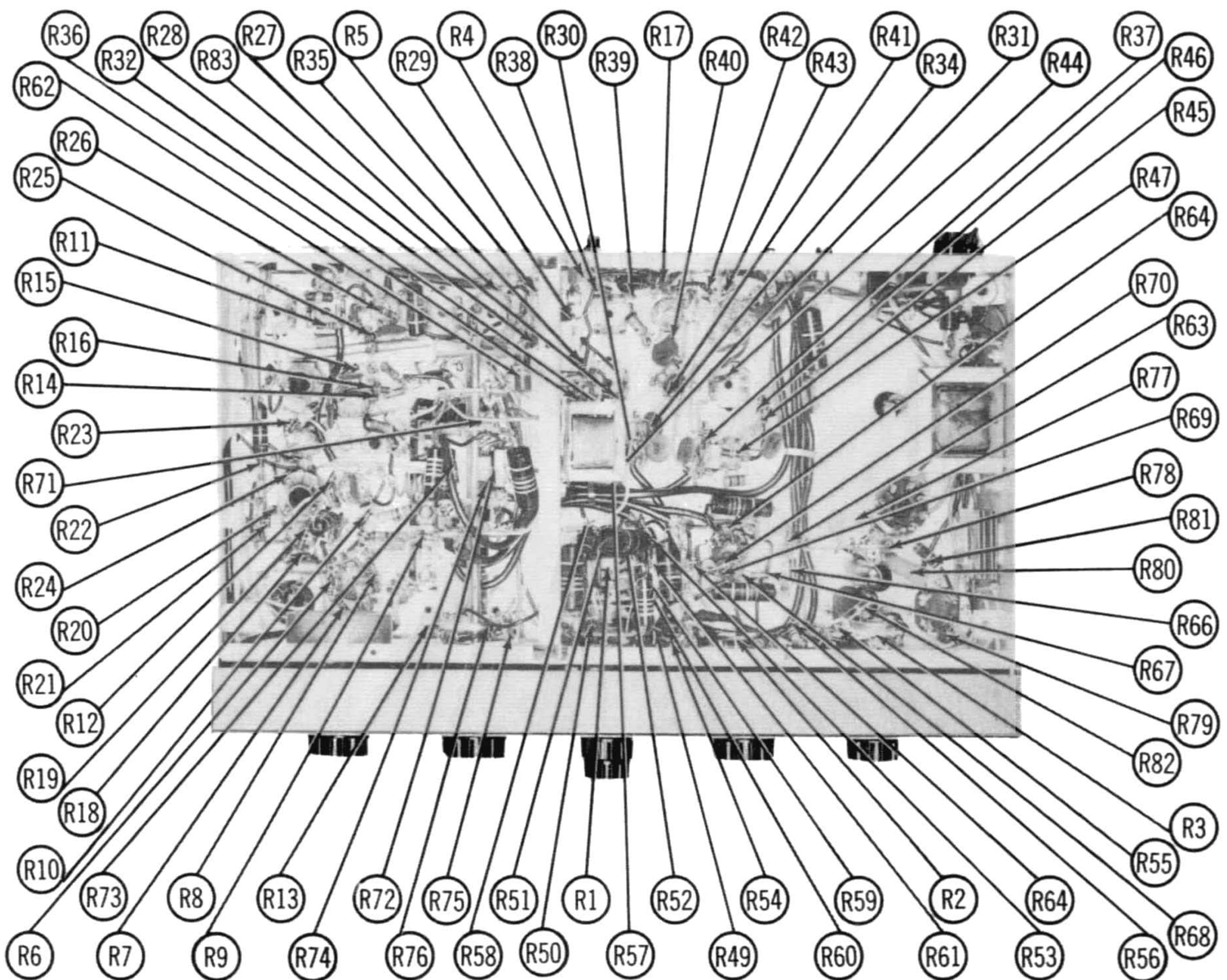
SEE PARTS LIST FOR ALTERNATE VALUE OR APPLICATION

- DC voltage measurements taken with vacuum tube voltmeter; AC voltages measured at 1000 ohms per volt.
- Socket connections are shown as bottom views.
- Measured values are from socket pins to common negative.
- Line voltages maintained at 117 volts for voltage readings.
- Nominal tolerance on component values in table is a variation of ± 1% in voltage and resistance readings.
- Voltage control at maximum, no signal applied for voltage measurements.





**CHASSIS BOTTOM VIEW-CAPACITOR IDENTIFICATION**



**CHASSIS BOTTOM VIEW-RESISTOR IDENTIFICATION**

# ALIGNMENT INSTRUCTIONS

## ALIGNMENT INSTRUCTIONS—READ CAREFULLY BEFORE ATTEMPTING ALIGNMENT

To set pointer, turn tuning capacitor fully closed and set pointer parallel with base of dial.



### AM ALIGNMENT

Loop should be maintained in same relative position to chassis as when receiver is in cabinet.

DUMMY ANTENNA	SIGNAL GENERATOR COUPLING	SIGNAL GENERATOR FREQUENCY	BAND SWITCH POS.	RADIO DIAL SETTING	OUTPUT METER	ADJUST	REMARKS
1. .01MFD	High side to pin 7 (grid) of 6BE6 (V5). Low side to chassis.	455KC (400% Mod)	AM Sharp	1000KC (Approx)	Across detector output jack	A1, A2, A3, A4, A5, A6	Adjust for maximum output.
2. "	"	455KC (FM Mod 30KC Swp)	AM Broad	"	Use scope. Vert. Amp. across detector output jack	A1	SLIGHTLY retouch A1 for symmetrical response on scope. If necessary equipment is not available omit this step.
3. 200MMF	High side to pin 4 of AM antenna jack. (Short pin 1 to pin 3 of AM antenna jack). Low side to chassis.	1400KC	AM Sharp	1400KC	Across detector output jack	A7, A8 A9	Disconnect AM loop antenna. Adjust for maximum output.
4. "	"	600KC	"	600KC	"	A10, A11, A12	Adjust for maximum output. Repeat steps 3 and 4.
5. .01MFD	High side to pin 6 (diode plate) of 6AV6 (V8A). Low side to chassis.	10KC	"	"	"	A13	Alternately adjust A13 and R5A (level adj) for MINIMUM output.

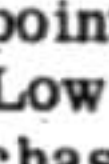
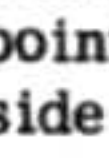
### FM IF ALIGNMENT USING AM SIGNAL GENERATOR AND VTVM

Set AFC control (R4A) fully clockwise.

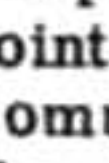
DUMMY ANTENNA	SIGNAL GENERATOR COUPLING	SIGNAL GENERATOR FREQUENCY	BAND SWITCH POS.	RADIO DIAL SETTING	CONNECT VTVM	ADJUST	REMARKS
6. Direct	High side to an ungrounded tube shield floating over 6CB6 (V2). Low side to chassis.	10.7MC (Unmod)	FM-AFC	Point of non-interference	DC probe to point  . Common to chassis.	A14, A15 A16, A17 A18, A19 A20	Adjust for maximum deflection.
7. "	"	"	"	"	DC probe to point  . Common to chassis.	A21	SLIGHTLY detune A22 then adjust A21 for maximum deflection.
8. "	"	"	"	"	"	A22	Adjust for zero reading. A positive and negative reading will be obtained on either side of the correct setting.

### FM IF ALIGNMENT USING FM SIGNAL GENERATOR AND OSCILLOSCOPE

Use frequency modulated signal with 60% modulation and 450KC sweep. Use 120% sawtooth voltage in scope for horizontal deflection. Set AFC control (R4A) fully clockwise.

DUMMY ANTENNA	SIGNAL GENERATOR COUPLING	SIGNAL GENERATOR FREQUENCY	BAND SWITCH POS.	RADIO DIAL SETTING	CONNECT SCOPE	ADJUST	REMARKS
6. Direct	High side to an ungrounded tube shield floating over 6CB6 (V2). Low side to chassis.	10.7MC (450KC Swp)	FM-AFC	Point of non-interference	Vert. Amp. to point  . Low side to chassis.	A14, A15 A16, A17 A18, A19 A20	Adjust for curve of maximum amplitude and symmetry similar to Fig. 1.
7. "	"	"	"	"	Vert. Amp. to point  . Low side to chassis.	A21, A22	Adjust A22 so that 10.7MC occurs at center of crossover lines as in Fig. 2. Adjust A21 for maximum amplitude and straightness of crossover lines. Continue alignment with step 9.

### FM RF ALIGNMENT

DUMMY ANTENNA	SIGNAL GENERATOR COUPLING	SIGNAL GENERATOR FREQUENCY	BAND SWITCH POS.	RADIO DIAL SETTING	OUTPUT METER	ADJUST	REMARKS
9. Two 120Ω Carbon Resistors	Across pins 1 and 4 of FM antenna jack with 120Ω in each lead (short pin 2 to pin 3 of FM antenna jack)	106MC (Unmod)	FM	106MC	DC probe to point  . Common to chassis.	A23	Adjust for maximum deflection.
10. "	"	90MC	"	90MC	"	A24	Adjust for maximum deflection. Repeat steps 9 and 10.
11. "	"	106MC	"	Tune to 106MC signal	"	A25 A26	Adjust for maximum deflection.
12. "	"	90MC	"	Tune to 90MC signal	"	L3, L6	Adjust for maximum deflection by compressing or expanding coil turns. Repeat steps 11 and 12.

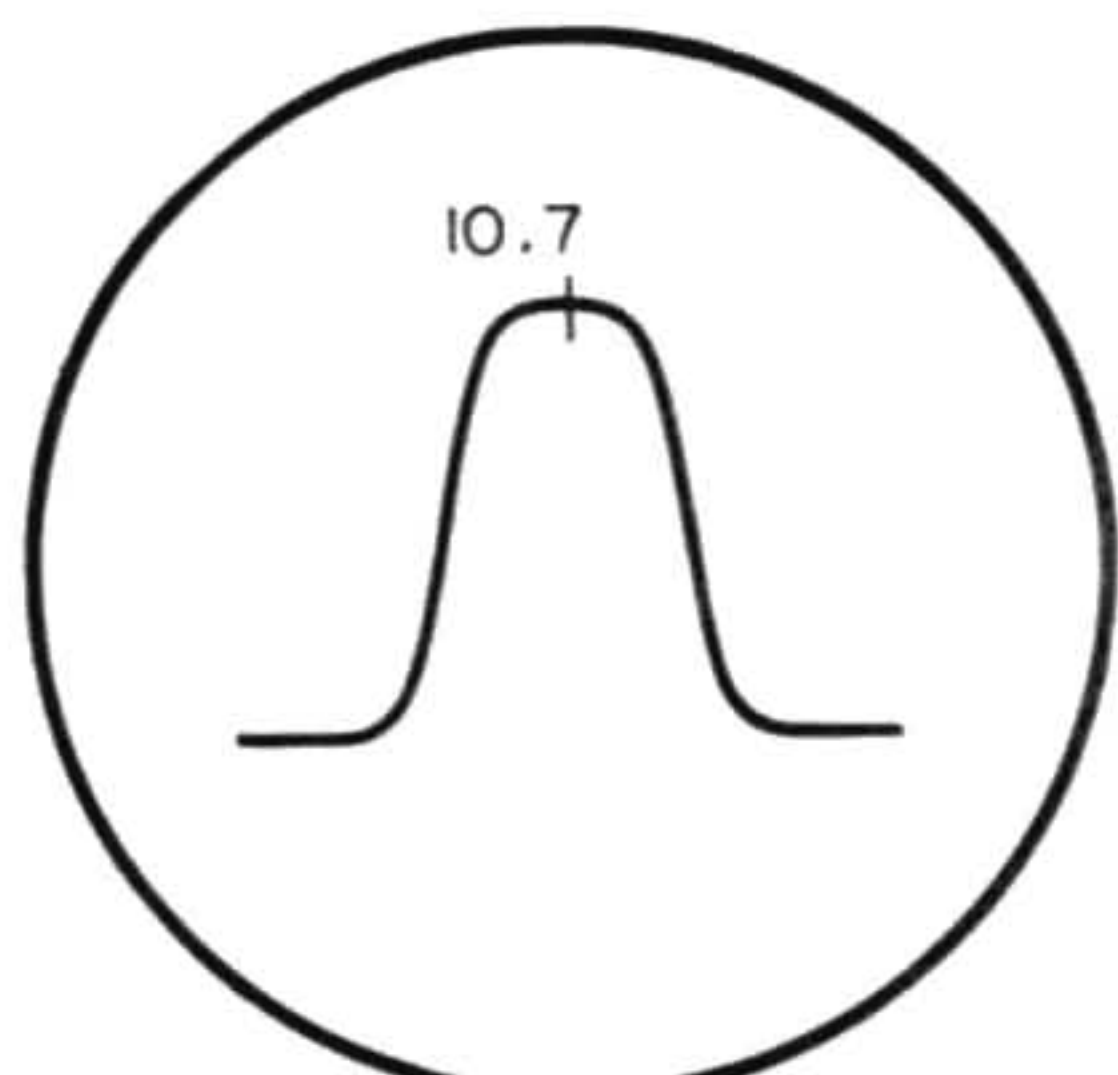


FIG. 1

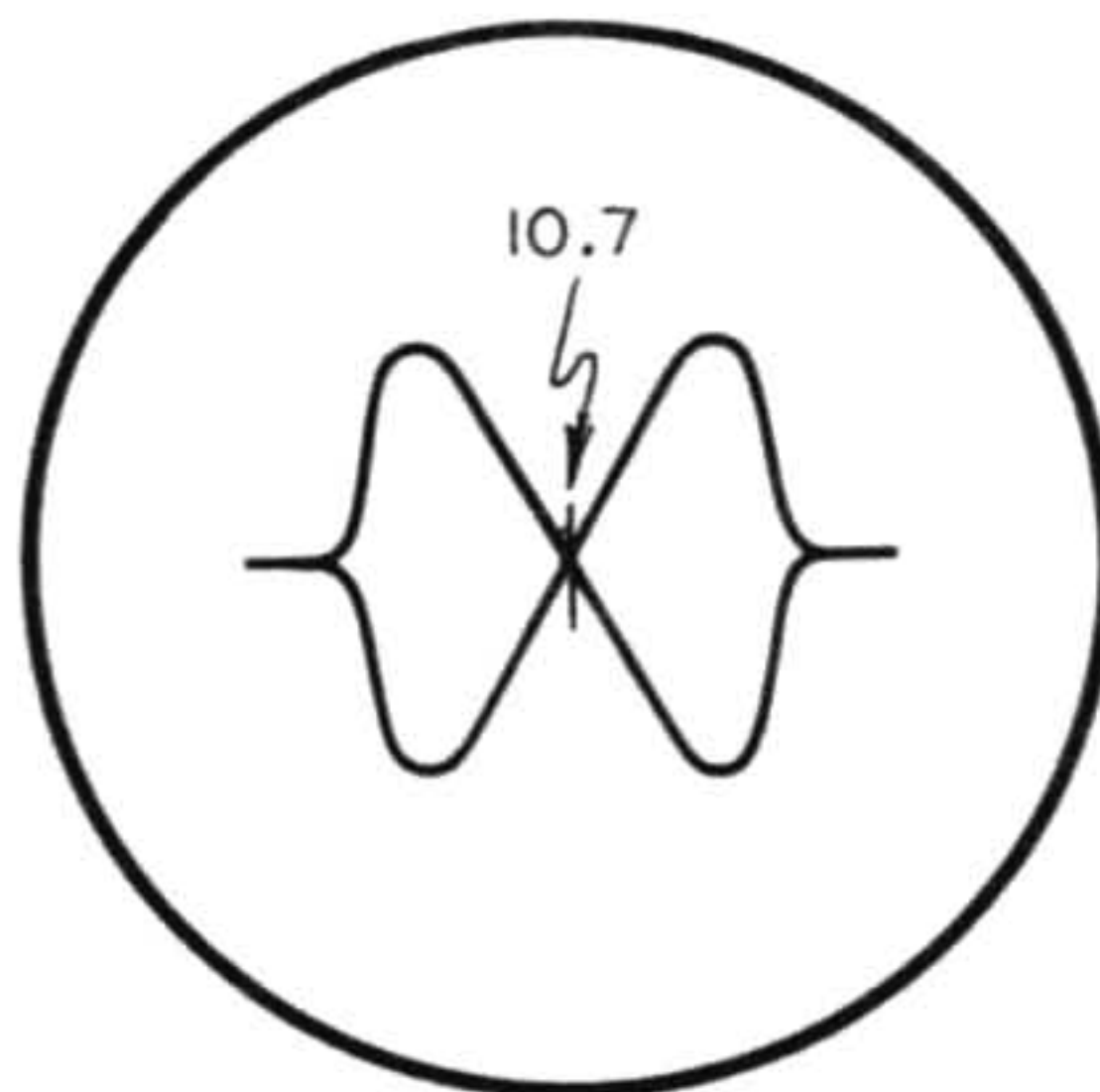


FIG. 2

# PARTS LIST AND DESCRIPTIONS

## TUBES (SYLVANIA, GENERAL ELECTRIC, WESTINGHOUSE)

ITEM No.	USE	REPLACEMENT DATA		RETMA BASE TYPE	NOTES
		FISHER PART No.	STANDARD REPLACEMENT		
V1	FM RF Amplifier	6BQ7A	6BQ7A	9AJ	
V2	FM Mixer	6CB6	6CB6	7CM	
V3	FM Osc. -AFC	6BQ7A	6BQ7A	9AJ	
V4	AM RF Amp.	6BA6	6BA6	7BK	
V5	AM Converter	6BE6	6BE6	7CH	
V6	AM FM IF Amp.	6BA6	6BA6	7BK	
V7	AM FM IF Amp.	6BA6	6BA6	7BK	
V8	AM Det. -AVC- AF Amp.	6AV6	6AV6	7BT	
V9	FM Limiter	6AU6	6AU6	7BK	
V10	FM Limiter	6AU6	6AU6	7BK	
V11	FM Disc.	6AL5	6AL5	6BT	
V12	Tuning Inductor	6U5	6U5	6R	
V13	Cathode Follower	12AU7	12AU7	9A	
V14	Phono Pre-Amp.	12AX7	12AX7	9A	
V15	Rectifier	5Y3GT	5Y3GT	5T	

### CAPACITORS

Capacity values given in the rating column are in mfd. for Electrolytic and Paper Capacitors, and in mmfd. for Mica and Ceramic Capacitors.

ITEM No.	RATING		REPLACEMENT DATA						NOTES	
	CAP.	VOLT	FISHER PART No.	AEROVOX PART No.	CENTRALAB PART No.	CORNELL-DUBILIER PART No.	ERIE PART No.	MALLORY PART No.		SPRAGUE PART No.
C1A	▲40	300	C505-120	AFH3-44		D046		FP377	R1327	
B	■40	300		PRS450/40		BR4035		TC78		
C	▲40	300								
D	40	300								
C2A	▲1000	25	C505-132	AFH1-08		A013		WP059	R1550	
B	▲500	25		AFH1-10		BRH255		TC2505		
C3	10		C-1317	SI10NP0	TCZ-10	TZ09	NP0K-100	ZT-541	5TCC-Q1	
C4	33		C-3337	SI33	D6-330	TP27	GPIK-330	UC-5433	5GA-Q33	
C5	5000		C-3338	SI5000	D6-502	TP64	GP2-333-502	UC-525	5GA-D5	
C6	500		C-1315	SI500	D6-501	TP47	GP2L-501	UC-535	5GA-T5	
C7	5000		C-3338	SI5000	D6-502	TP64	GP2-333-502	UC-525	5GA-D5	
C8	33		C-3337	SI33	D6-330	TP27	GPIK-330	UC-5433	5GA-Q33	
C9	5000		C-2146	SI5000	D6-502	TP64	GP2-333-502	UC-525	5GA-D5	
C10	5000		C-2146	BPD-005	DD-502	K080	801-005	DC-525	5HK-D5	
C11	2.2		C-3039	SI2.2NP0	TCZ-2.2	TZ05	NP0K-2R2		5TCCB-V22	
C12	47		C-3350	SI47	D6-470	TP29	GPIK-470	UC-5447	5GA-Q47	
C13	220		C-3306	SI220	D6-221	TP39	GP2K-221	UC-5322	5GA-T22	
C14	5000		C-2146	BPD-005	DD-502	K080	801-005	DC-525	5HK-D5	
C15	500		C-1315	SI500	D6-501	TP47	GP2L-501	UC-545	5GA-T5	
C16	.047	400	C-2944	P488-047	DF-503	CUB4S47		PT4147	4TM-S47	
C17	5000		C-2146	BPD-005	DD-502	K080	801-005	DC-525	5HK-D5	
C18	5000		C-2146	BPD-005	DD-502	K080	801-005	DC-525	5HK-D5	
C19	15		C-1316	SI15NP0	TCZ-15	TZ11	NP0K-150		5TCC-Q15	
C20	2.2		C-3039	SI2.2NP0	TCZ-2.2	TZ05	NP0K-2R2		5TCCB-V22	
C21	220		C-3306	SI220	D6-221	TP39	GP2K-221	UC-5322	5GA-T22	
C22	4.7		C-1779	SI4.7NP0	TCZ-4.7	TZ07	NP0K-4R7	ZT-5547	5TCCB-V47	
C23	.01	400	C-3155	P488-01	D6-103	CUB4S1	GP2-333-103	PT411	4TM-S1	
C24	220		C-3306	SI220	D6-221	TP39	GP2K-221	UC-5322	5GA-T22	
C25	10		C-2851	SI10N750	TCN-10	TN01	N750K-100	NT-541	5TCU-Q15	
C26	220		C-3306	SI220	D6-221	TP39	GP2K-221	UC-5322	5GA-T22	
C27	.01	400	C-3155	P488-01	D6-103	CUB4S1	GP2-333-103	PT411	4TM-S1	
C28	470	500	C-3334	1469-0005		5W5T47		MCE-245	MS-35	
C29	470	500	C-3334	1469-0005		5W5T47		MCE-245	MS-35	
C30	470	500	C-3334	1469-0005		5W5T47		MCE-245	MS-35	
C31	5000		C-2146	BPD-005	DD-502	K080	801-005	DC-525	5HK-D5	
C32	.01	400	C-3155	P488-01	D6-103	CUB4S1	GP2-333-103	PT411	4TM-S1	
C33	470	500	C-3334	1469-0005		5W5T47		MCE-245	MS-35	
C34	5000		C-2146	BPD-005	DD-502	K080	801-005	DC-525	5HK-D5	
C35	5000		C-2146	BPD-005	DD-502	K080	801-005	DC-525	5HK-D5	
C36	47		C-3350	SI47	D6-470	TP29	GPIK-470	UC-5447	5GA-Q47	
C37	5000		C-2146	BPD-005	DD-502	K080	801-005	DC-525	5HK-D5	
C38	5000		C-2146	BPD-005	DD-502	K080	801-005	DC-525	5HK-D5	
C39	100		C-3339	SI100	D6-101	TP34	GP2K-101	UC-531	5GA-T1	
C40	100		C-3339	SI100	D6-101	TP34	GP2K-101	UC-531	5GA-T1	
C41	24		C-3392							
C42	47		C-3411	SI47	D6-470	TP29	GPIK-470	UC-5447	5GA-Q47	
C43	.1	200	C-3369	P288-1	DF-104	PJ2P1		PT401	2TM-P1	

# PARTS LIST & DESCRIPTION (continued)

## CAPACITORS (cont)

ITEM No.	RATING		REPLACEMENT DATA							NOTES
	CAP.	VOLT	FISHER PART No.	AEROVOX PART No.	CENTRALAB PART No.	CORNELL-DUBILIER PART No.	ERIE PART No.	MALLORY PART No.	SPRAGUE PART No.	
C44	220		C-3407	SI220	D6-221	TP39	GPIK-221	UC-5322	5GA-T22	
C45	.0047	400	C-3304							
C46	100		C-3339	SI100	D6-100	TP34	GPIK-101	UC-531	5GA-T1	
C47	.0047	400	C-3304							
C48	.022	400	C-2946	P488-022				PT4122	4TM-S22	
C49	47		C-3350	SI47	D6-470	TP29	GPIK-470	UC-5447	5GA-Q47	
C50	5000		C-2146	BPD-005	DD-502	K080	801-005	DC-525		
C51	220		C-3306	SI220	D6-221	TP39	GPIK-221	UC-5322	5GA-T22	
C52	5000		C-2146	BPD-005	DD-502	K080	801-005	DC-525	5HK-D5	
C53	5000		C-2146	BPD-005	DD-502	K080	801-005	DC-525	5HK-D5	
C54	47		C-3350	SI47NP0	TCZ-47	TZ22	NP0K-470		5TCC-Q47	
C55	100		C-3339	SI100	D6-101	TP34	GPIK-101	UC-531	5GA-T1	
C56	800		C-3309							
C57	5000		C-2146	BPD-005	DD-502	K080	801-005	DC-525	5HK-D5	
C58	5000		C-2146	BPD-005	DD-502	K080	801-005	DC-525	5HK-D5	
C59	5000		C-2146	BPD-005	DD-502	K080	801-005	DC-525	5HK-D5	
C60	.1	400		P488-1	DF-104	CUB4P1		PT401	4TM-P1	
C61	.01	400	C-3155	P488-01	D6-103	CUB4S1	GP2-333-103	PT411	4TM-S1	
C62	.1	200	C-3369	P288-1	DF-104	PJ2P1		PT401	2TM-P1	
C63	.0047	400	C-3304							
C64	.047	400	C-2944	P488-047	DF-503	CUB4S47		PT4147	4TM-S47	
C65	420		C-3308							
C66	.0047	400	C-3304							
C67	.01	400	C-3155	P488-01	D6-103	CUB4S1	GP2-333-103	PT411	4TM-S1	
C68	.047	400	C-2944	P488-047	DF-503	CUB4S47		PT4147	4TM-S47	
C69	.01	400	C-3155	P488-01	D6-103	CUB4S1	GP2-333-103	PT411	4TM-S1	
C70	.1	200	C-3369	P288-1	DF-104	PJ2P1		PT401	2TM-P1	
C71	.022	400	C-2946	P488-022				PT4122	4TM-S22	
C72	.022	400	C-2946	P488-022				PT4122	4TM-S22	
C73	.0082	400	C-3303							
C74	.012	400	C-3414							
C75	1300		C-3307							
C76	800		C-3309							
C77	.1	200	C-3369	P288-1	DF-104	PJ2P1		PT401	2TM-P1	
C78	.047	400	C-2944	P488-047	DF-503	CUB4S47		PT4147	4TM-S47	
C79	.01	600	C-2747	689ZX-01	D6-103	PJ6S1	GP2-333-103	PT611	6TM-S1	
C80	1-8		C-2970							

## CONTROLS

ITEM No.	RATING		REPLACEMENT DATA					INSTALLATION NOTES
	RESISTANCE	WATTS	FISHER PART No.	IRC PART No.	CLAROSTAT PART No.	CENTRALAB PART No.	MALLORY PART No.	
R1A	500KΩ	1/2	3263					Volume & loudness switch-tapped @ 40KΩ & 30KΩ-Panel Volume & loudness -Rear-Note Treble Attach to R2A Bass Attach to R3A AFC Attach to R4A Level Adjustment Attach to R5A
B	500KΩ	1/2						
R2A	500KΩ	1/2	R-50000-2	Q13-133	A47-500K-S	B-60	U-48	
B	Shaft		Not Req.	Not Req.	RS-3	Not Req.	Not Req.	
R3A	500KΩ	1/2	R-5000-3	Q13-133	A47-500K-Z	B-60-S	U-48	
B	Shaft		Not Req.	Not Req.	RS-3	Not Req.	Not Req.	
C	Switch		Not Req.	76-2	SWE-20	Not Req.	US-27	
R4A	2Meg	1/2	R-2815-12	Q11-139	A47-2Meg-S	AB-75	SU-56	
B	Shaft		Not Req.	Not Req.	FKS-1/4	AK-1	Not Req.	
R5A	200KΩ	1/2	R-50000-4	Q11-129	A47-200K-S	AB-46	U-43	
B	Shaft		Not Req.	SQ	FKS-1/4	AK-1	Not Req.	

Note: Some models may use an alternate control part #RS-513-121.

## RESISTORS

ITEM No.	RATING		REPLACEMENT DATA		NOTES	ITEM No.	RATING		REPLACEMENT DATA		NOTES
	OHMS	WATT	FISHER PART No.	IRC PART No.			OHMS	WATT	FISHER PART No.	IRC PART No.	
R6	470KΩ	1/2	RC20BF474K	BTS-470K		R15	1000Ω	1/2	RC20BF102K	BTS-1000	
R7	470KΩ	1/2	RC20BF474K	BTS-470K		R16	100Ω	1/2	RC20BF101K	BTS-100	
R8	470KΩ	1/2	RC20BF474K	BTS-470K		R17	47KΩ	1/2	RC20BF473K	BTS-47K	
R9	1000Ω	1/2	RC20BF102K	BTS-1000		R18	1Meg	1/2	RC20BF105K	BTS-1Meg	
R10	1Meg	1/2	RC20BF105K	BTS-1Meg		R19	68Ω	1/2	RC20BF680K	BTS-68	
R11	68KΩ	1/2	RC20BF683K	BTS-68K		R20	1000Ω	1/2	RC20BF102K	BTS-1000	
R12	1000Ω	1/2	RC20BF102K	BTS-1000		R21	22Meg	1/2	RC20BF226K	BTS-22Meg	
R13	1Meg	1/2	RC20BF105K	BTS-1Meg		R22	1Meg	1/2	RC20BF105K	BTS-1Meg	
R14	4700Ω	1/2	RC20BF472K	BTS-4700		R23	22KΩ	1/2	RC20BF226K	BTS-22K	

(CONT'D ON NEXT PAGE)

# PARTS LIST AND DESCRIPTIONS (Continued)

## RESISTORS (cont)

ITEM No.	RATING		REPLACEMENT DATA		NOTES	ITEM No.	RATING		REPLACEMENT DATA		NOTES
			FISHER PART No.	IRC PART No.					FISHER PART No.	IRC PART No.	
	OHMS	WATT					OHMS	WATT			
R24	1000Ω		RC20BF102K	BTS-1000	Note 1	R54	22KΩ		RC20BF223K	BTS-22K	Note 1
R25	68Ω		RC20BF680K	BTS-68		R55	4700Ω		RC20BF472K	BTS-4700	
R26	1000Ω		RC20BF102K	BTS-1000		R56	47KΩ		RC20BF473K	BTS-47K	
R27	68KΩ		RC20BF683K	BTS-68K		R57	18Meg		RC20BF186K	BTS-18Meg	
R28	68Ω		RC20BF680K	BTS-68		R58	100KΩ		RC20BF104K	BTS-100K	
R29	1000Ω		RC20BF102K	BTS-1000		R59	1Meg		RC20BF105K	BTS-1Meg	
R30	2.2Meg		RC20BF225K	BTS-2.2Meg		R60	2200Ω		RC20BF222K	BTS-2200	
R31	1Meg		RC20BF105K	BTS-1Meg		R61	47KΩ		RC20BF473K	BTS-47K	
R32	33KΩ		RC20BF333K	BTS-33K		R62	10KΩ		RC20BF103K	BTS-10K	
R33	47KΩ		RC20BF473K	BTS-47K		R63	220KΩ		RC20BF224K	BTS-220K	
R34	220KΩ		RC20BF224K	BTS-220K		R64	18Meg		RC20BF186K	BTS-18Meg	
R35	150KΩ		RC20BF154K	BTS-150K		R65	100KΩ			BTS-100K	
R36	100KΩ		RC20BF104K	BTS-100K		R66	2.2Meg		RC20BF225K	BTS-2.2Meg	
R37	470KΩ		RC20BF474K	BTS-470K		R67	1Meg		RC20BF105K	BTS-1Meg	
R38	100KΩ		RC20BF104K	BTS-100K		R68	39KΩ		RC20BF393K	BTS-39K	
R39	470KΩ		RC20BF474K	BTS-470K		R69	1500Ω		RC20BF152K	BTS-1500	
R40	15KΩ		RC20BF153K	BTS-15K		R70	100KΩ		RC20BF104K	BTS-100K	
R41	33KΩ		RC20BF333K	BTS-33K		R71	47KΩ		RC20BF473K	BTS-47K	
R42	1Meg		RC20BF105K	BTS-1Meg		R72	1Meg		RC20BF105K	BTS-1Meg	
R43	10KΩ		RC20BF103K	BTS-10K		R73	18Meg		RC20BF186K	BTS-18Meg	
R44	47KΩ		RC20BF473K	BTS-47K		R74	180KΩ		RC20BF184K	BTS-180K	
R45	100KΩ		RC20BF104K	BTS-100K		R75	22Ω		RC20BF220K	BTS-22	
R46	100KΩ		RC20BF104K	BTS-100K		R76	22Ω		RC20BF220K	BTS-22	
R47	150KΩ		RC20BF154K	BTS-150K		R77	2000Ω	10	R-3344	1 3/4A-2000	
R48	220KΩ		RC20BF224K	BTS-220K		R78	15KΩ	2	R-3332	BTB-15K	
R49	47KΩ		RC20BF473K	BTS-47K		R79	4700Ω		RC20BF472K	BTS-4700	
R50	47KΩ		RC20BF473K	BTS-47K		R80	200Ω	5	R-3342	1 3/4A-200	
R51	1Meg		RC20BF105K	BTS-1Meg		R81	47Ω	1	R-3333		
R52	2200Ω		RC20BF222K	BTS-2200		R82	15Ω	2	R-3331		
R53	47KΩ		RC20BF473K	BTS-47K		R83	220KΩ	1/2		BTS-220K	

Note 1. Not used in all Models.

## TRANSFORMER (POWER)

ITEM No.	RATING				REPLACEMENT DATA					
					FISHER PART No.	Stancor PART No.	Merit PART No.	Triad PART No.	Halldorson PART No.	Thordarson PART No.
	PRI.	SEC. 1	SEC. 2	SEC. 3						
T1	117VAC @ .37A	510VCT .087ADC	6.3VAC @ 3.8A	20VAC @ .024A	T509-122					

## COILS (RF-IF)

ITEM No.	USE	DC RES.		REPLACEMENT DATA				NOTES
				FISHER PART No.	MEISSNER PART No.	MERIT PART No.	MILLER PART No.	
		PRI.	SEC.					
L1	FM Ant. Loop			L-50003				
L2	FM Ant. Coil	.7Ω	.7Ω	L-509-139				
L3	FM Ant. Coil	0Ω		L-509-159				
L4	Fil. Choke	.2Ω		L-509-140	19-1002		4606	2.5 Microhenries; 2 coils on one form
L5	FM RF Choke	1.8Ω		L-3352	19-1002		4606	2.2 Microhenries; IRC Part No. CLA
L6	FM RF Coil	0Ω		L-509-162				
L7	FM Osc. Coil	0Ω		L-509-160				
L8	FM RF Choke	.5Ω		L-509-147	19-1003		4608	3.5 Microhenries
L10	AM Ant. Coil	.7Ω	.7Ω	L-509-139				
L11	AM Ant. Loading Coil	1.6Ω		L-509-135	19-7047	TV-180	6176	
L12	AM Ant. Coil	50Ω	3.7Ω	L-509-137	14-7413	BC-383	73-A	
L13	AM RF Coil	120Ω	4.2Ω	C-3309				
L14	AM Osc. Coil	4Ω		L-509-134	14-1060 *	BC-381 ■	71-Osc. *	Tapped @ .5Ω
L15	1st FM IF	.6Ω	.6Ω	ZZ-2987	16-3487	FM-254	1463	
L16	FM RF Choke	1.8Ω		L-3352	19-1002		4606	2.2 Microhenries; IRC Part No. CLA
L17	1st AM IF	6Ω	6Ω	ZZ-509-132				
L18	Fil. Choke	.44Ω		L-3351	19-3001		6175	.68 Microhenry; IRC Part No. CLA
L19	Fil. Choke	.2Ω		L-509-156	19-1000		4602	.9 Microhenry
L20	2nd FM IF	.6Ω	.6Ω	ZZ-2987	16-3487	FM-254	1463	



# PARTS LIST AND DESCRIPTIONS (Continued)

## COILS (cont)

ITEM No.	USE	DC RES.		REPLACEMENT DATA				NOTES
		PRI.	SEC.	FISHER PART No.	MEISSNER PART No.	MERIT PART No.	MILLER PART No.	
L21	FM RF Choke	1.8Ω		L-3352	19-1002		4606	2.2Microhenries; IRC Part No. CLA
L22	2nd AM IF	5.5Ω	5.5Ω	ZZ-509-132				
L23	3rd FM IF	1.7Ω	.5Ω	ZZ-509-130	16-3487	FM-254	1463	
L24	3rd AM IF	8Ω	8Ω	ZZ-2984	16-6758	BC-353	12-C2	
L25	FM Limiter Coil	.3Ω		L-509-138				
L26	FM D <sup>i</sup> sc.	.7Ω	1.1ΩCT	ZZ-509-131		FM-253	1464	

- \* Use primary winding and drill mounting holes.
- Use secondary winding and drill mounting hole.

## TONE CHOKE

ITEM No.	RATINGS			REPLACEMENT DATA					
	TOTAL DIRECT CURRENT	D. C. RESISTANCE	INDUCTANCE (0 CURRENT 1000 ~)	FISHER PART No.	Stancor PART No.	Merit PART No.	Triad PART No.	Halldorson PART No.	Thordarson PART No.
L27		367Ω	2.37 Hy.	L515-115-2					

## FILTER CHOKE

ITEM No.	RATINGS			REPLACEMENT DATA					
	TOTAL DIRECT CURRENT	D. C. RESISTANCE	INDUCTANCE (0 CURRENT 1000 ~)	FISHER PART No.	Stancor PART No.	Merit PART No.	Triud PART No.	Halldorson PART No.	Thordarson PART No.
L28	.087A	198Ω	4.7 Hy.	L509-128	C-2309 ①		C-15X ①	C5020 ①	20C49 ①

- ① Drill one new mounting hole.

## SELENIUM RECTIFIER

ITEM No.	RATING	REPLACEMENT DATA						NOTES
	CURRENT	FISHER PART No.	FEDERAL PART No.	INTERNATIONAL PART No.	MALLORY PART No.	SARKES TARZIAN PART No.	SELETRON PART No.	
M1	.024ADC	SR-3078	1015	Q1B		304B		

## FUSES

ITEM No.	TYPE	RATING	REPLACEMENT DATA					
			FISHER PART No.		LITTELFUSE PART No.		BUSS PART No.	
			FUSE	HOLDER	FUSE	HOLDER	FUSE	HOLDER
M2	3AG Slo-Blo	1A 125V	F-3256		313001 (1A-3AG Slo-Blo)	342001	MDL1	HKP

## MISCELLANEOUS

ITEM No.	PART NAME	FISHER PART No.	NOTES
M3 M4 M5	Dial Light Tuning Cap. Switch	I-2148 C-509-118	Bayonet #47 (6 used) 22-373MMF, 22-373MMF, 17-158MMF Selector